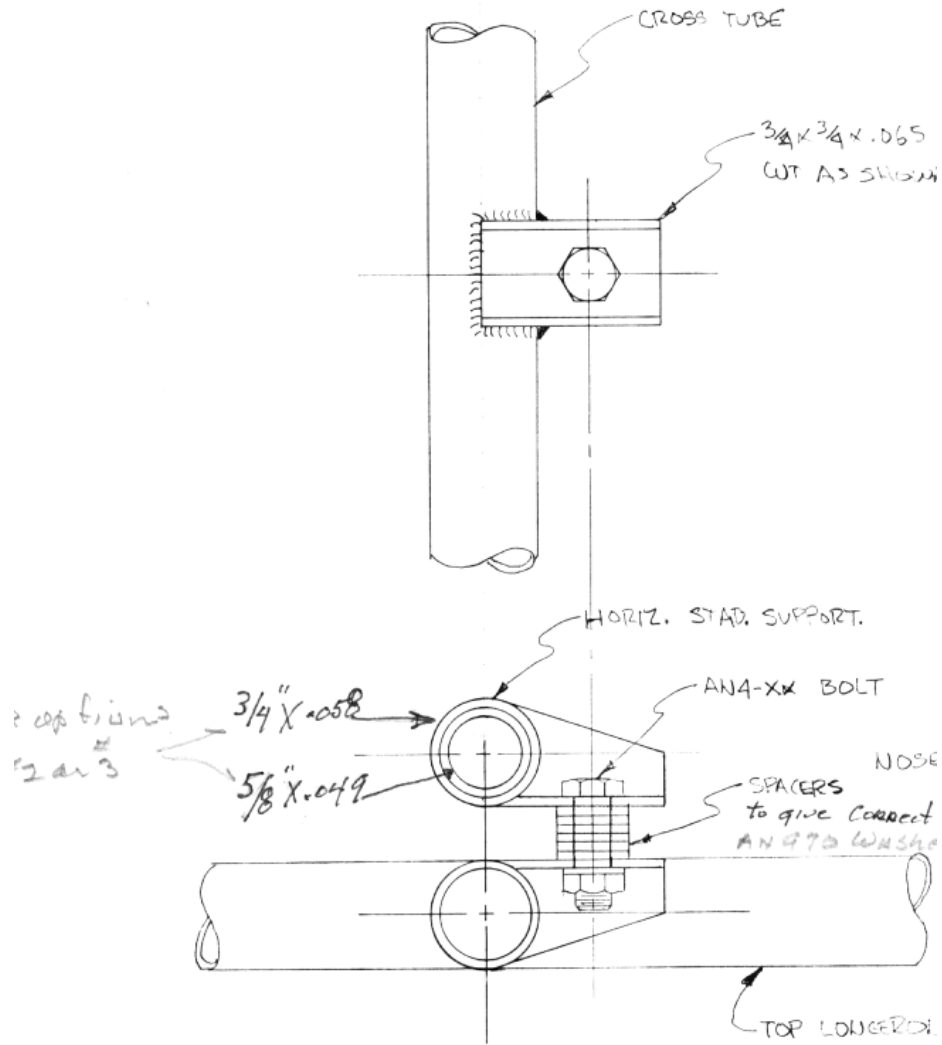


# Adjustable Stabilizer Mounting

Here is one method for mounting the horizontal stabilizer that allows adjusting incidence afterwards.

Thanks to Randy Brooks for the sketches. His Bratz has the stab mounted thusly, and so far it is working well for him.



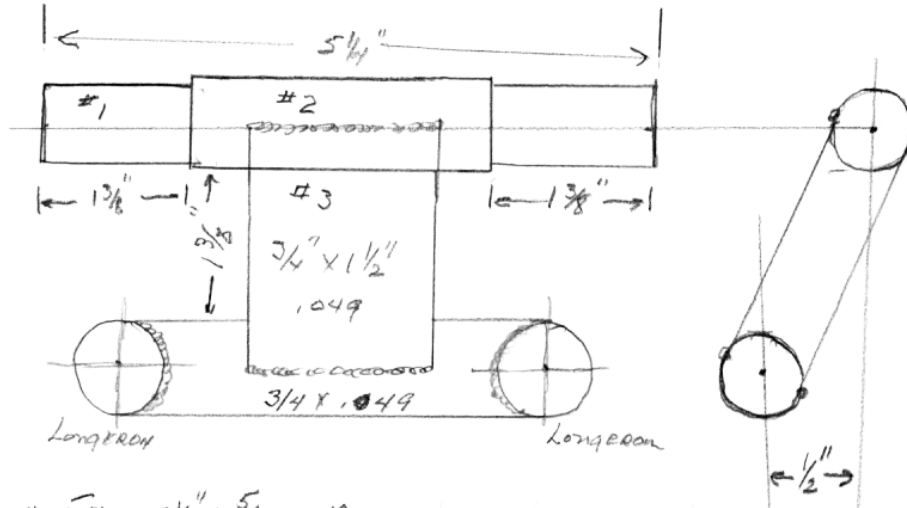
Horizontal Stabilizer front Supp  
ELEVATION VIEW

note -  
 used four washers to allow adj.  
 the aluminum rod support.

HATZ CB-  
 S/N 535

# HORIZONTAL Stabilizer Rear Support PAGE

View → tail (aft)



Op #1 [ #1  $5 \frac{1}{4} = \frac{5}{8} \times .049$   
 #2  $2 \frac{1}{2} = \frac{3}{4} \times .058$  REAM To .627 (.002" clearance)

Op #2 [ #1  $5 \frac{1}{4} = \frac{5}{8} \times .058$  → THAN To .618 (.002" clearance)  
 #2  $2 \frac{1}{2} = \frac{3}{4} \times .065$

Op #3 [ #1  $5 \frac{1}{4} = \frac{5}{8} \times .049$   
 #2  $2 \frac{1}{2} = \frac{3}{4} \times .065$  → REAM To .627 (.002" clearance)

H-100-26 (modified)

Excuse drawing - (Free hand)  
 BRATR CB-1